

**Two Stage Differential mode Servo Drive EMC/EMI / RFI Filter**

**SJ29DR SERIES**

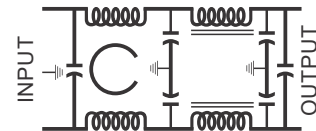
- These filters combine with line to ground interference rejection filters with additional circuitry to reduce line to line noise and transients. They provide attenuation in a wide frequency range.
- They will also provide needed noise suppression to allow most equipment to meet the conducted emission limits and power disturbance limits. They are particularly designed to be used in single phase servo drives.
- Applications include commercial and domestic refrigerators, variety of LED lights, Electronic Voltage stabilisers, Ice Cream chillers and freezers, servo drives, etc.

**Technical specifications:**

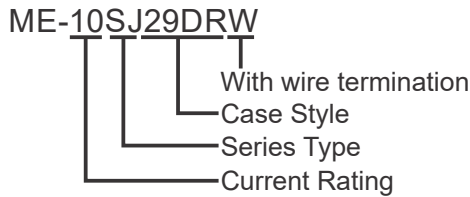
Maximum Voltage	250VAC
Operating Frequency	DC-400Hz
Rated Current(@ 40°C)	1A, 3A, 6A, 10A, 15A.
Leakage Current @ 240VAC, 50 Hz.	<1.20ma
High Potential Test Voltage	
Line to Ground	2 KVAC (2 Secs)
Line to Line	2 KVDC (2 Secs)
Insulation Resistance	>500Mohms @ 500VDC
Temperature Range	-25°C to +85°C



**Electrical Schematic**



**Ordering Information:**

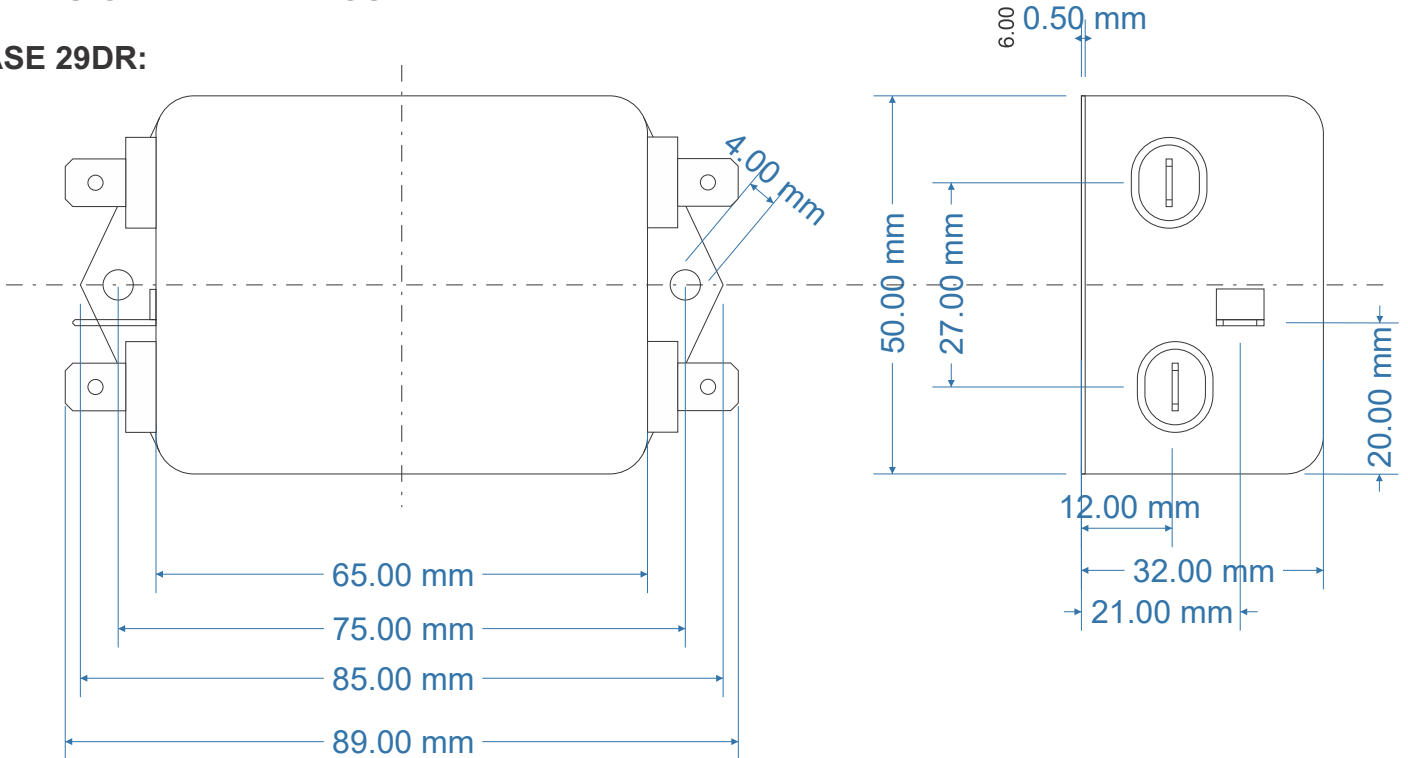


**Available part numbers:**

- |             |              |
|-------------|--------------|
| ME-1SJ29RF  | ME-1SJ29RFW  |
| ME-3SJ29RF  | ME-3SJ29RFW  |
| ME-6SJ29RF  | ME-6SJ29RFW  |
| ME-10SJ29RF | ME-10SJ29RFW |
| ME-15SJ29RF | ME-15SJ29RFW |

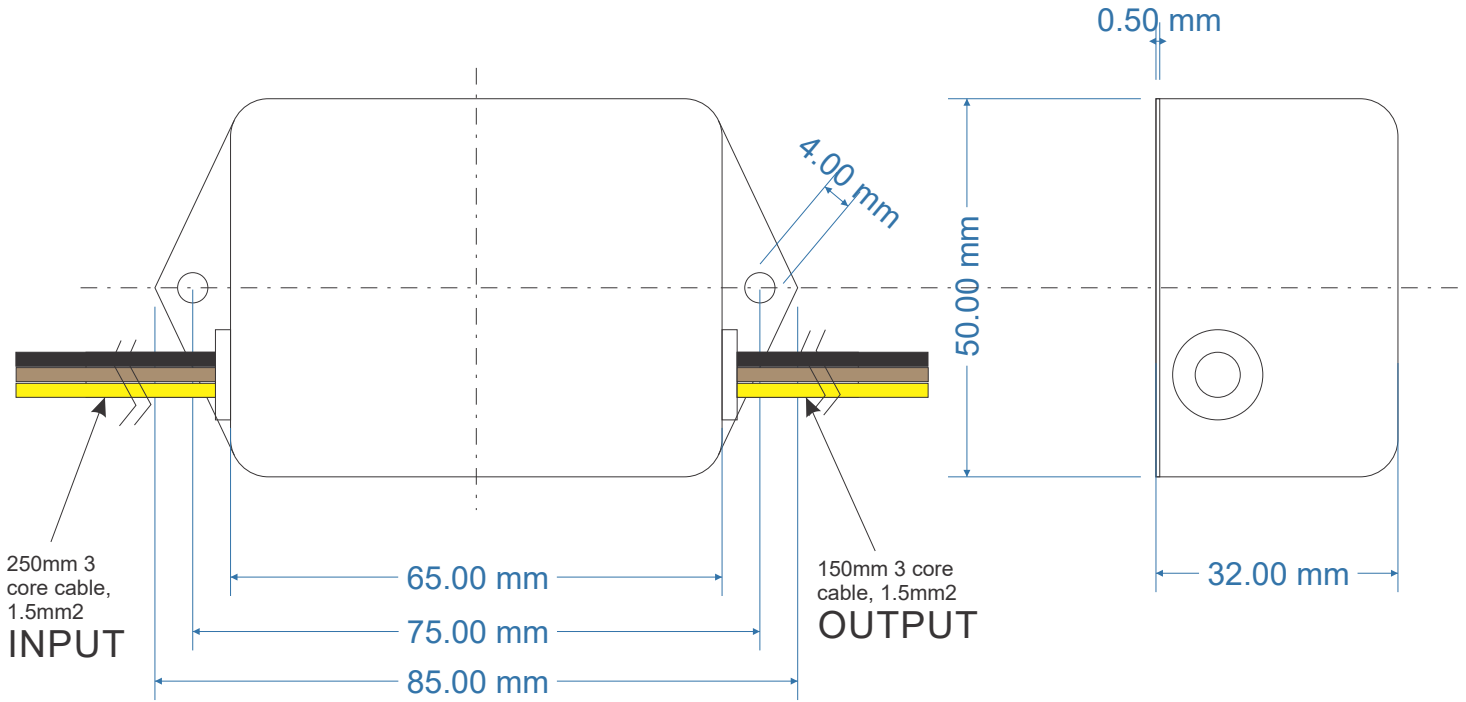
**DIMENSIONAL DRAWINGS:**

**CASE 29DR:**



All dimensions are in mm ± 2mm

Case Style 29DRW:



All dimensions are in mm  $\pm$  2mm