

## 3 Phase 3 Wire EMI / RFI / EMC Filters for Servo Drives

## SKJ SERIES

### FEATURES:-

- These filters provide state-of- the-art EMI attenuation based on an innovative multi-stage filter topology.
- They help to ensure compliance for Drives for Servo motors.
- Optimized for operation under full load.
- High reliability.



### CONSTRUCTION:-

- 3-Phase, 3-line filters
- Chassis mount in fabricated metal case
- Terminations are both touch safe terminal blocks and screw / Faston's.

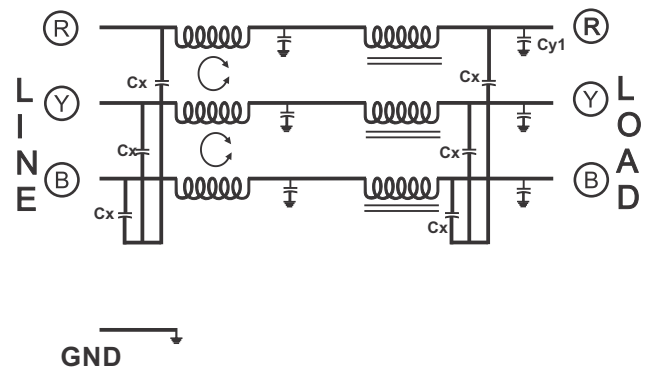
### TECHNICAL SPECIFICATIONS:

Maximum Leakage current(each line to ground): <3.5mA @440VAC, 50/60 Hz.

Rated voltage:	: 440 VAC
Operating Frequency:	:50 / 60 Hz
Rated current(A):	: 3, 6, 10, 15, 20 30, 40, 50, 60 .

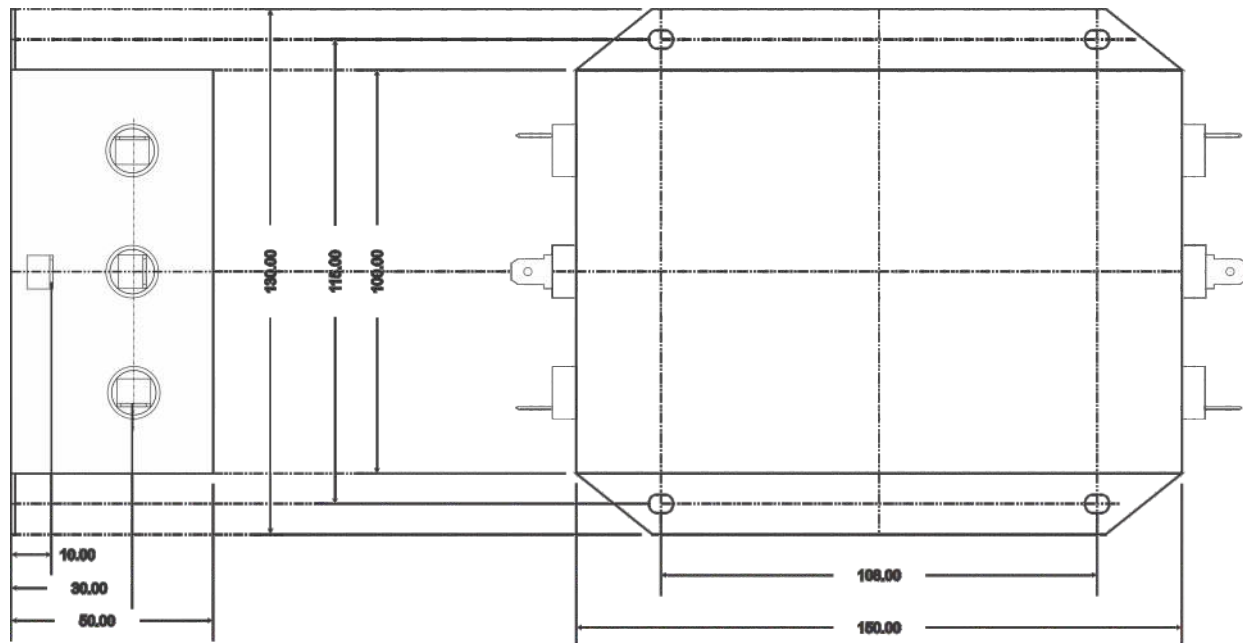
Hipot Rating(1 Minute):	
Line to Ground	: 1500 VAC
Neutral to Ground	: 1500 VAC
Line to Neutral	: 1500 VDC

### TYPICAL ELECTRICAL SCHEMATIC:



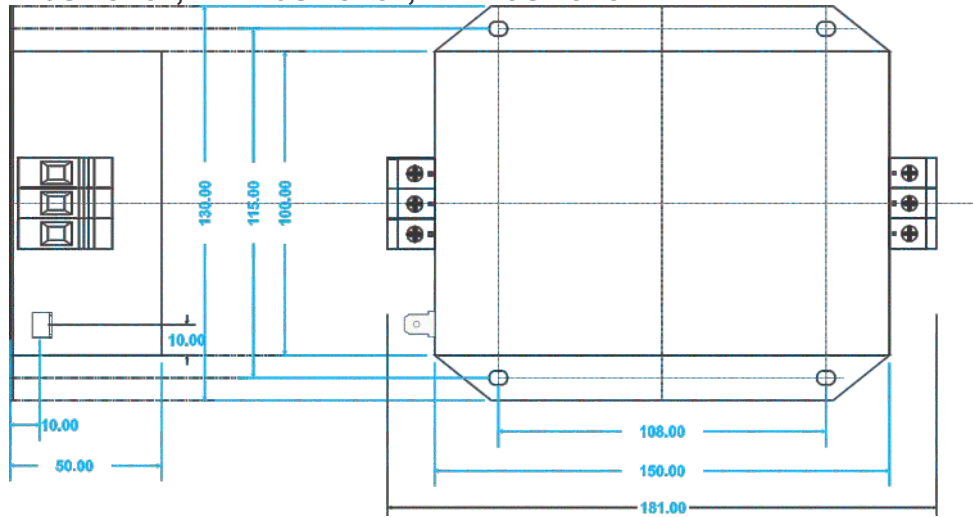
### DIMENSIONAL DRAWINGS:

#### ME-3SKJ18, ME-6SKJ18, ME-10SKJ18, ME-15SKJ18

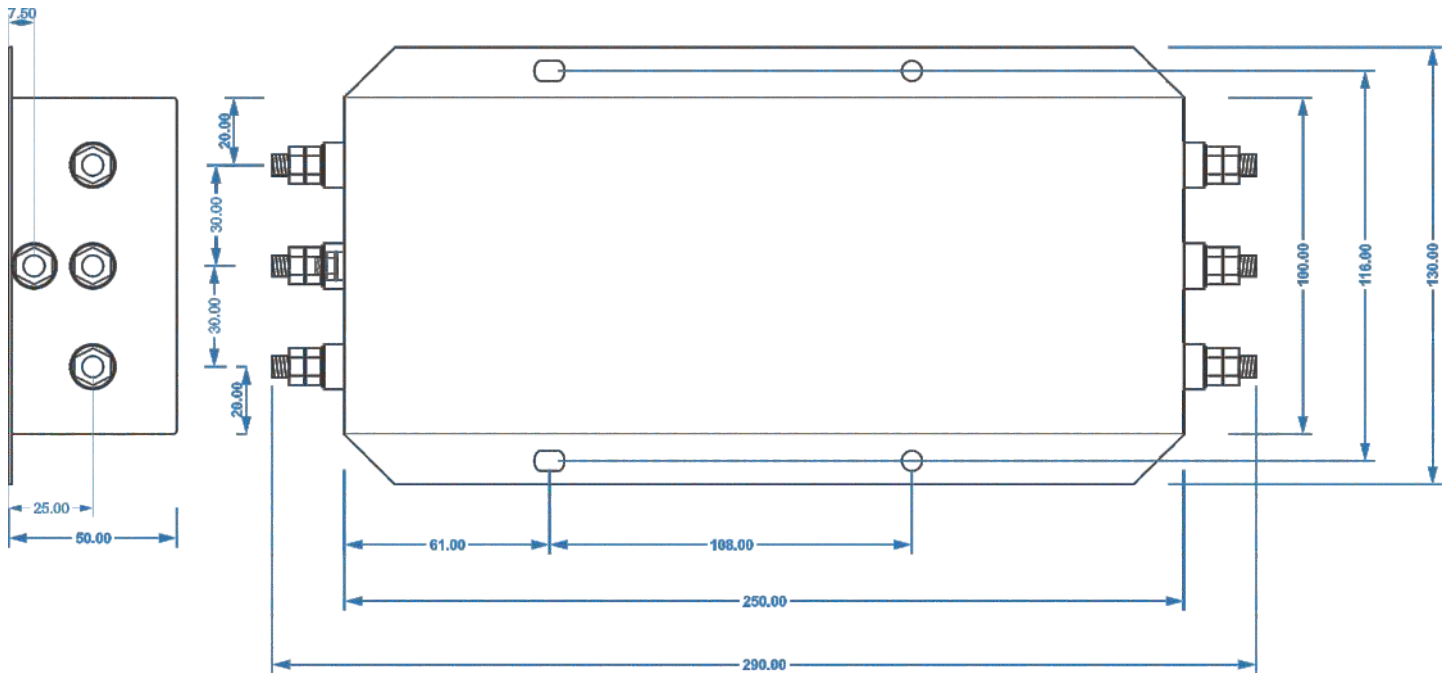


All dimensions are in mm  $\pm$  2mm

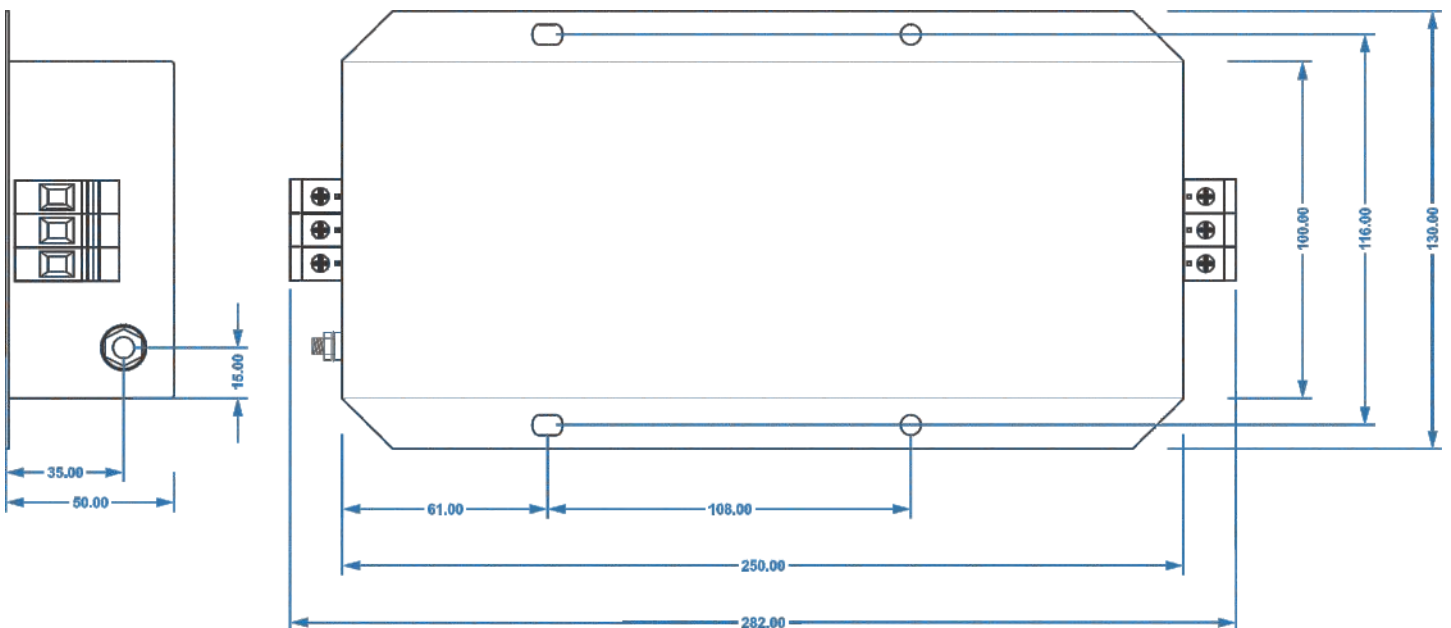
ME-3SKJ18T, ME-6SKJ18T, ME-10SKJ18T, ME-15SKJ18T



ME-20SKJ24, ME-30SKJ24, ME-40SKJ24, ME-50SKJ24, ME-60SKJ24



ME-20SKJ24T, ME-30SKJ24T, ME-40SKJ24T, ME-50SKJ24T, ME-60SKJ24T



All dimensions are in mm  $\pm$  2mm