

General Purpose High current EMI / RFI / EMC Filters

SG SERIES

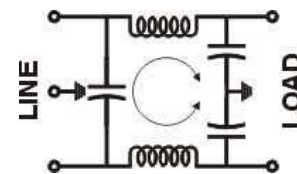
- These RFI power line filters are general purpose common mode and differential mode filters. They are effective in the control of line to line as well as line to ground RFI interference. They are particularly suited for application where pulsed, continuous and / or intermittent RFI interference is present.
- They meet the very low leakage current requirements of non-patient medical equipment.
- Applications include Test equipments, control devices, medical equipment, computers and peripherals, Currency counters and other industrial devices.

Technical specifications:

Maximum Voltage	250VAC
Operating Frequency	DC-400Hz
Rated Current(@ 40°C)	20A, 30A, 50A, 60A, 80A, 100A, & 150A
Leakage Current @ 240VAC, 50 Hz.	0.5mA
High Potential Test Voltage	
Line to Ground	2 KVAC (2 Secs)
Line to Line	2 KVDC (2 Secs)
Insulation Resistance	>500Mohms @ 500VDC
Temperature Range	-25°C to +85°C



Electrical Schematic



Ordering Information:

Available part numbers:

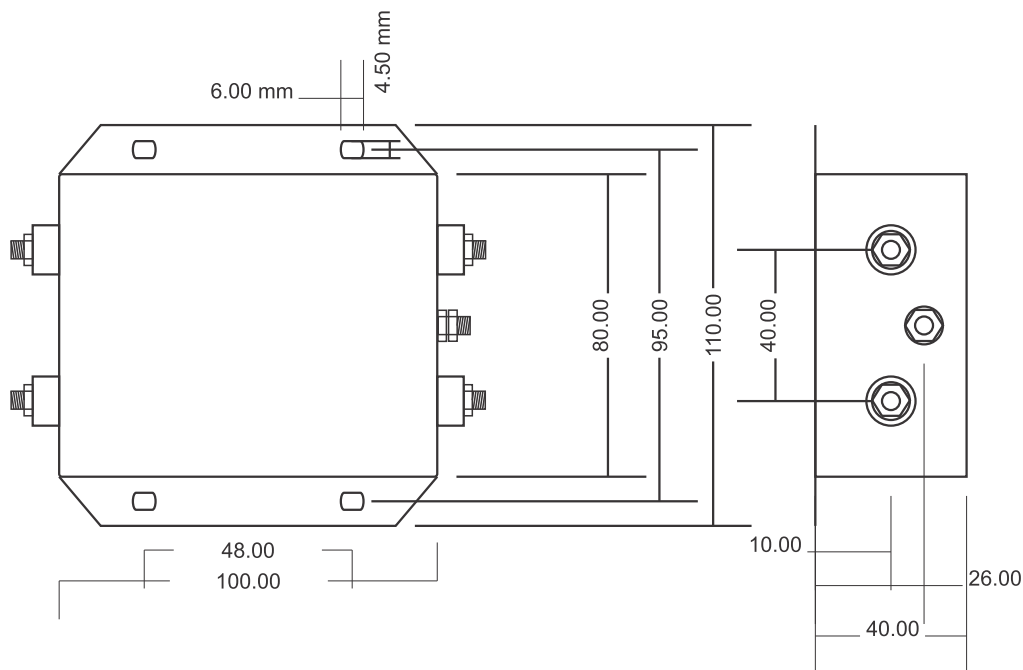
ME-50SG20



- | | |
|------------|------------|
| ME-20SG13 | ME-30SG13 |
| ME-50SG20 | ME-60SG20 |
| ME-80SG18 | ME-100SG21 |
| ME-120SG21 | ME-150SG21 |

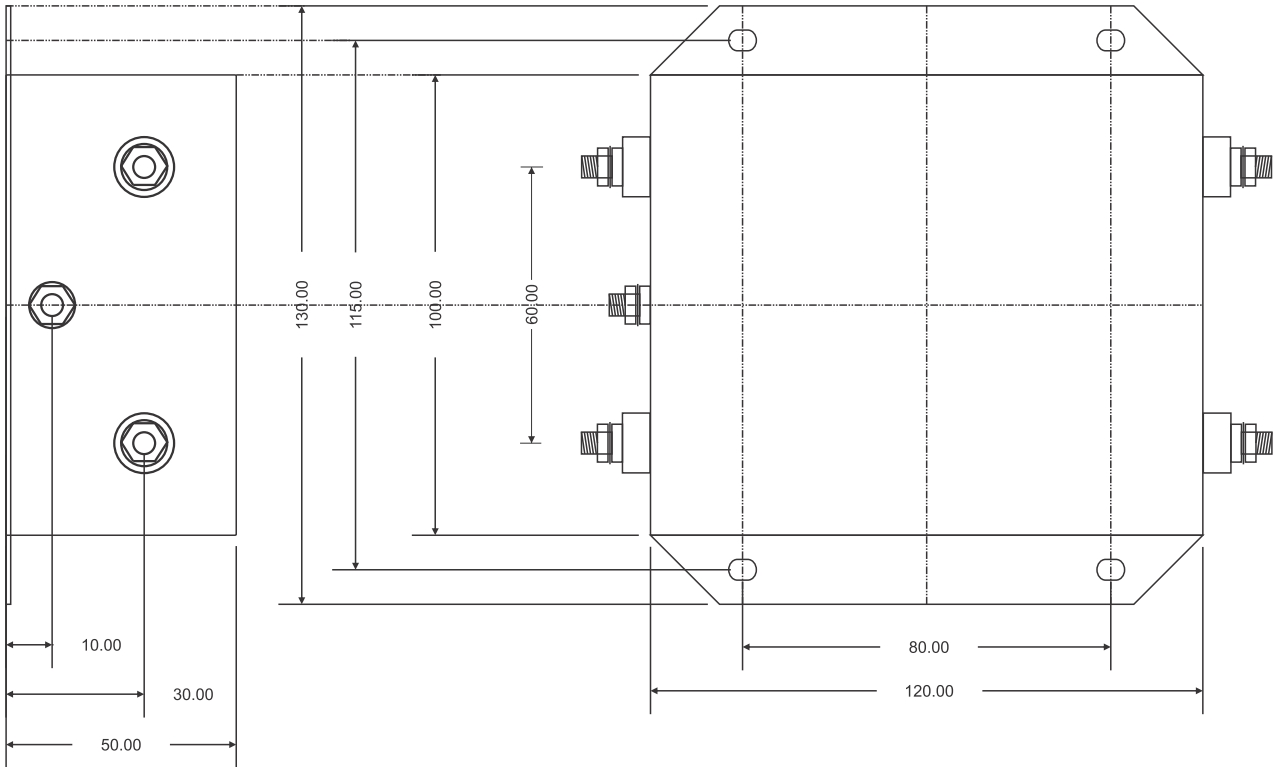
DIMENSIONAL DRAWINGS:

Case Style 13:

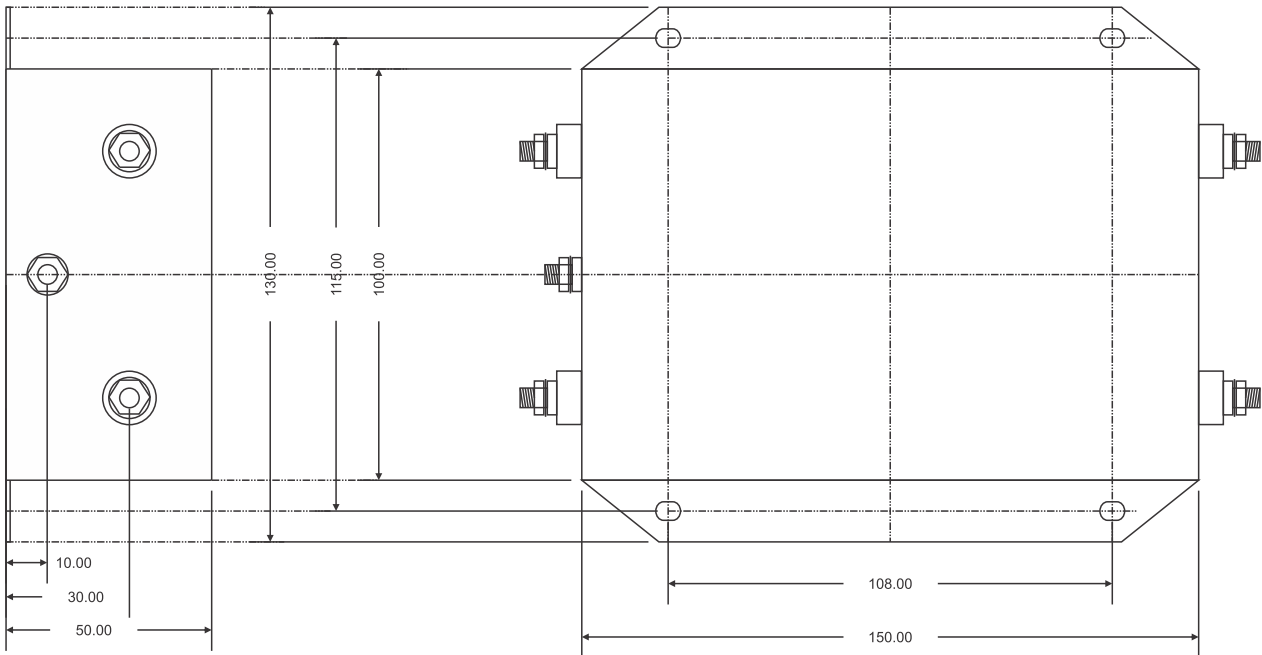


All dimensions are in mm ± 2mm

Case Style 20:

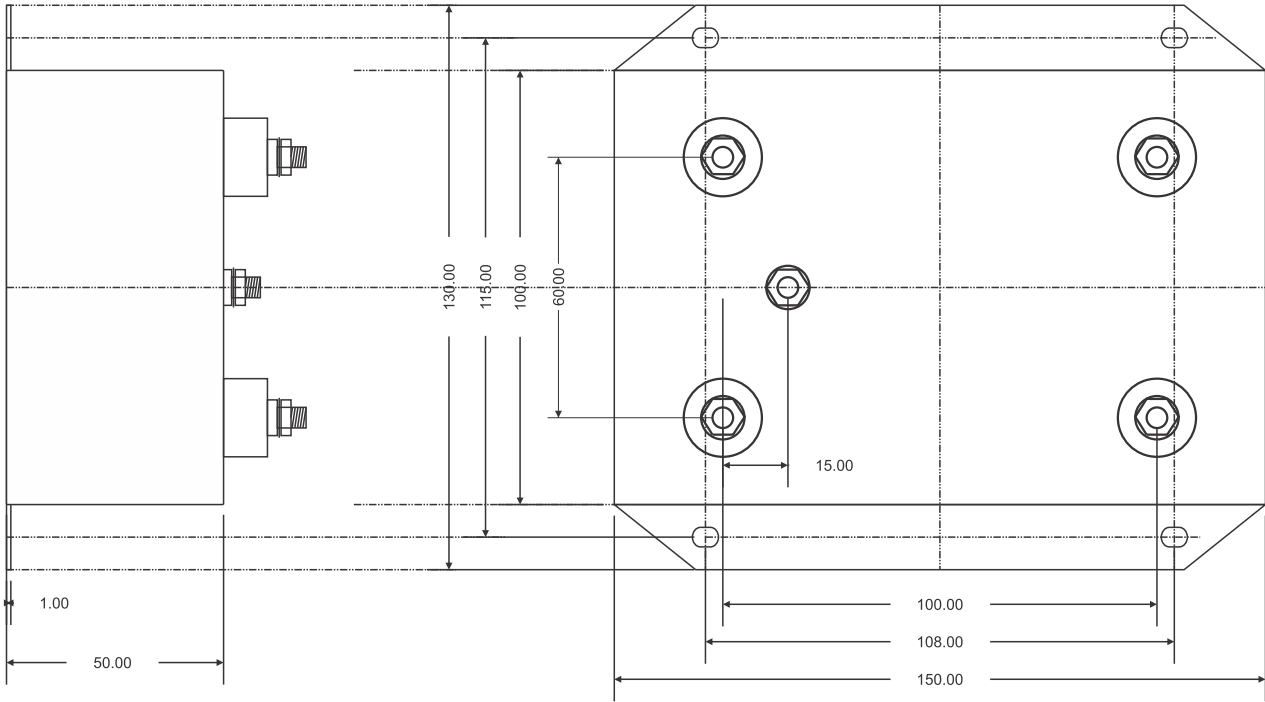


Case Style 18:



All dimensions are in mm \pm 2mm

Case Style 21:



All dimensions are in mm \pm 2mm