

FEATURES:-

- These filters provide state-of- the-art EMI attenuation based on an innovative multi-stage filter topology.
- They help to ensure compliance with Class A or even Class B limits.
- Optimized for operation under full load.
- High reliability.



CONSTRUCTION:-

- 3-Phase, 3-line filters
- Chassis mount in fabricated metal case
- Terminations are touch safe terminal blocks.

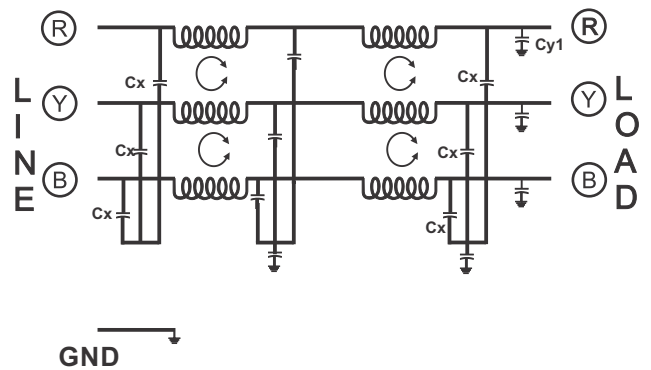
TECHNICAL SPECIFICATIONS:

Maximum Leakage current(each line to ground): <18.0mA @440VAC, 50/60 Hz.

Rated voltage:	: 440 VAC
Operating Frequency:	:50 / 60 Hz
Rated current(A):	: 3, 6, 10, 15, 20, 30, 40.

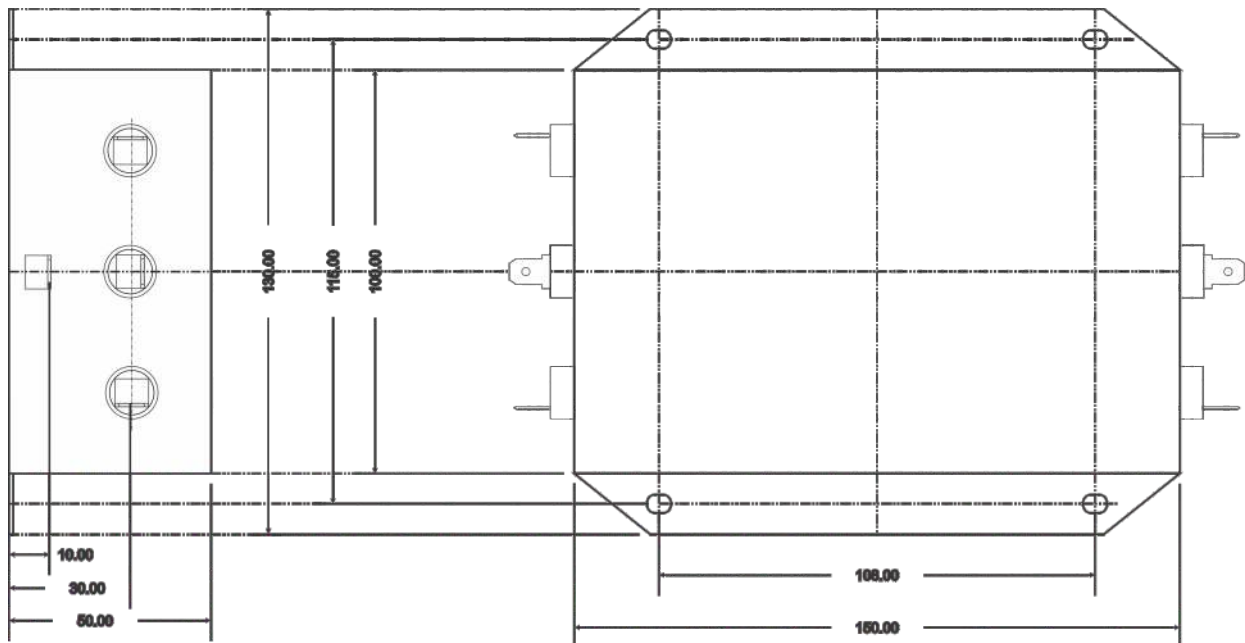
Hipot Rating(1 Minute):	
Line to Ground	: 1500 VAC
Neutral to Ground	: 1500 VAC
Line to Neutral	: 1500 VDC

TYPICAL ELECTRICAL SCHEMATIC:



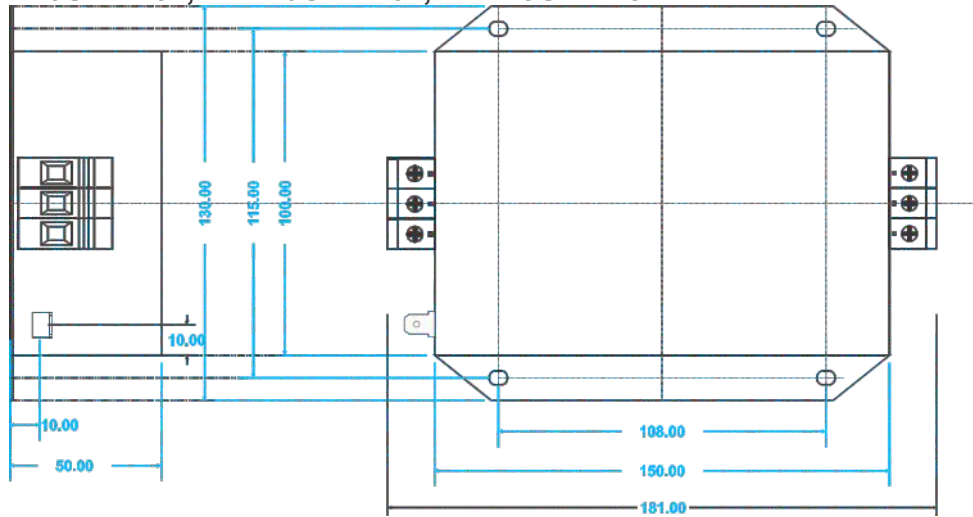
DIMENSIONAL DRAWINGS:

ME-3SKD18, ME-6SKD18, ME-10SKD18, ME-15SKD18

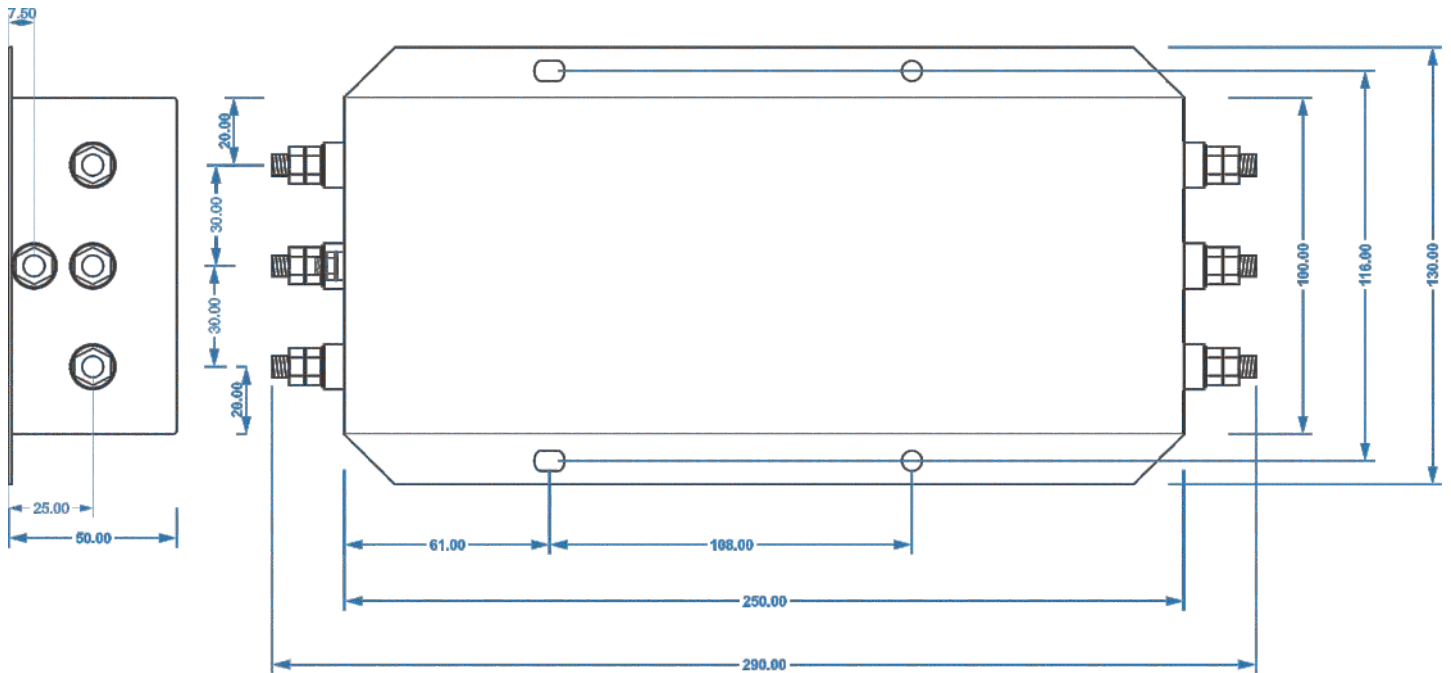


All dimensions are in mm \pm 2mm

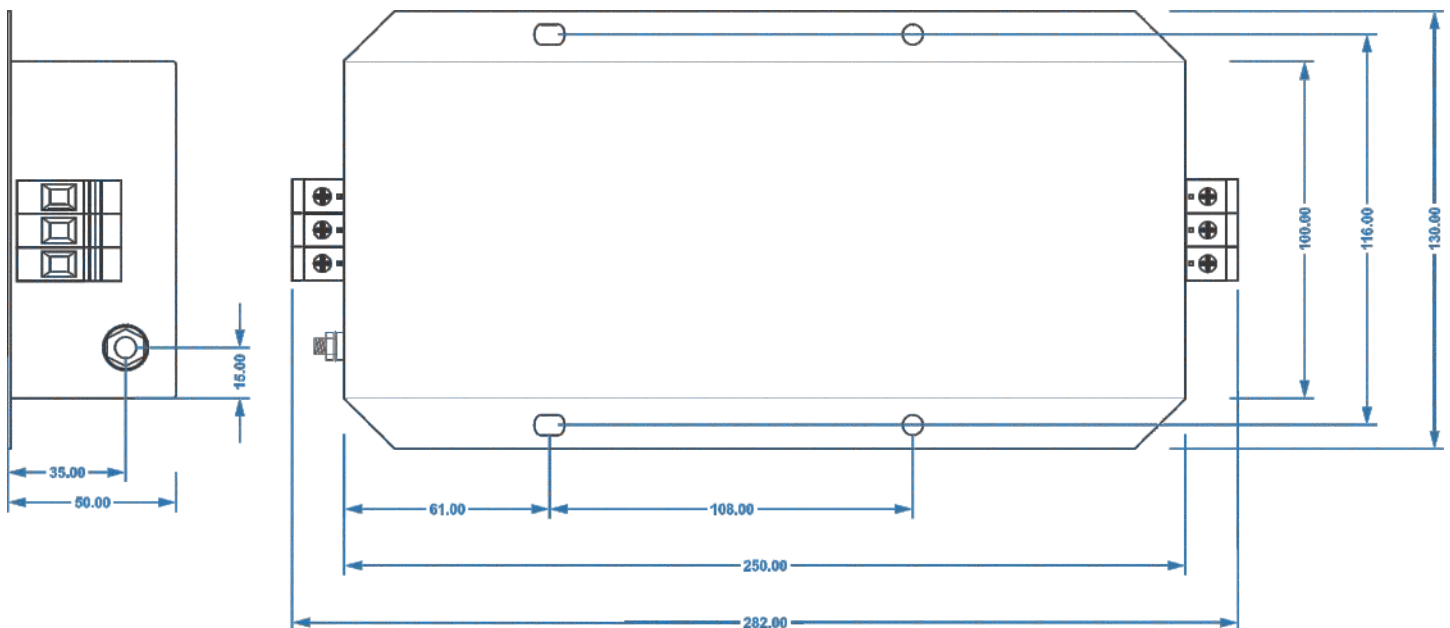
ME-3SKD18T, ME-6SKD18T, ME-10SKD18T, ME-15SKD18T



ME-20SKD24, ME-30SKD24, ME-40SKD24



ME-20SKD24T, ME-30SKD24T, ME-40SKD24T



All dimensions are in mm \pm 2mm