

High performance EMI / RFI / EMC Filters with Ground choke

LF29E SERIES

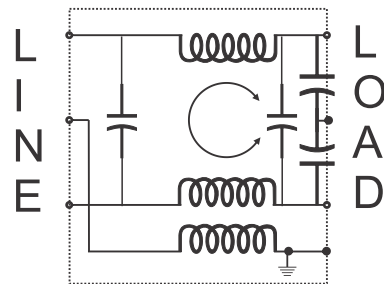
- These RFI power line filters are general purpose common mode and differential mode filters. They are effective in the control of line to line as well as line to ground RFI interference. They are particularly suited for application where pulsed, continuous and / or intermittent RFI interference is present.
- Specially designed with ground choke providing most effective EMI suppression for high frequency noise (ranged 5MHz-25MHz), and blocks noise from ground.
- Applications include pharmaceutical machinery, medical equipments, all applications where signal ground and mains ground are common.



Technical specifications:

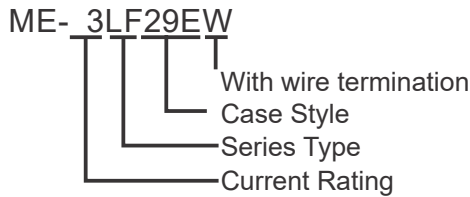
Maximum Voltage	250VAC
Operating Frequency	DC-400Hz
Rated Current(@ 40°C)	1A, 3A, 6A, 10A, 15A.
Leakage Current @ 240VAC, 50 Hz.	<0.50ma
High Potential Test Voltage	
Line to Ground	2 KVAC (2 Secs)
Line to Line	2 KVDC (2 Secs)
Insulation Resistance	>500Mohms @ 500VDC
Temperature Range	-25°C to +85°C

Electrical Schematic



Ordering Information:

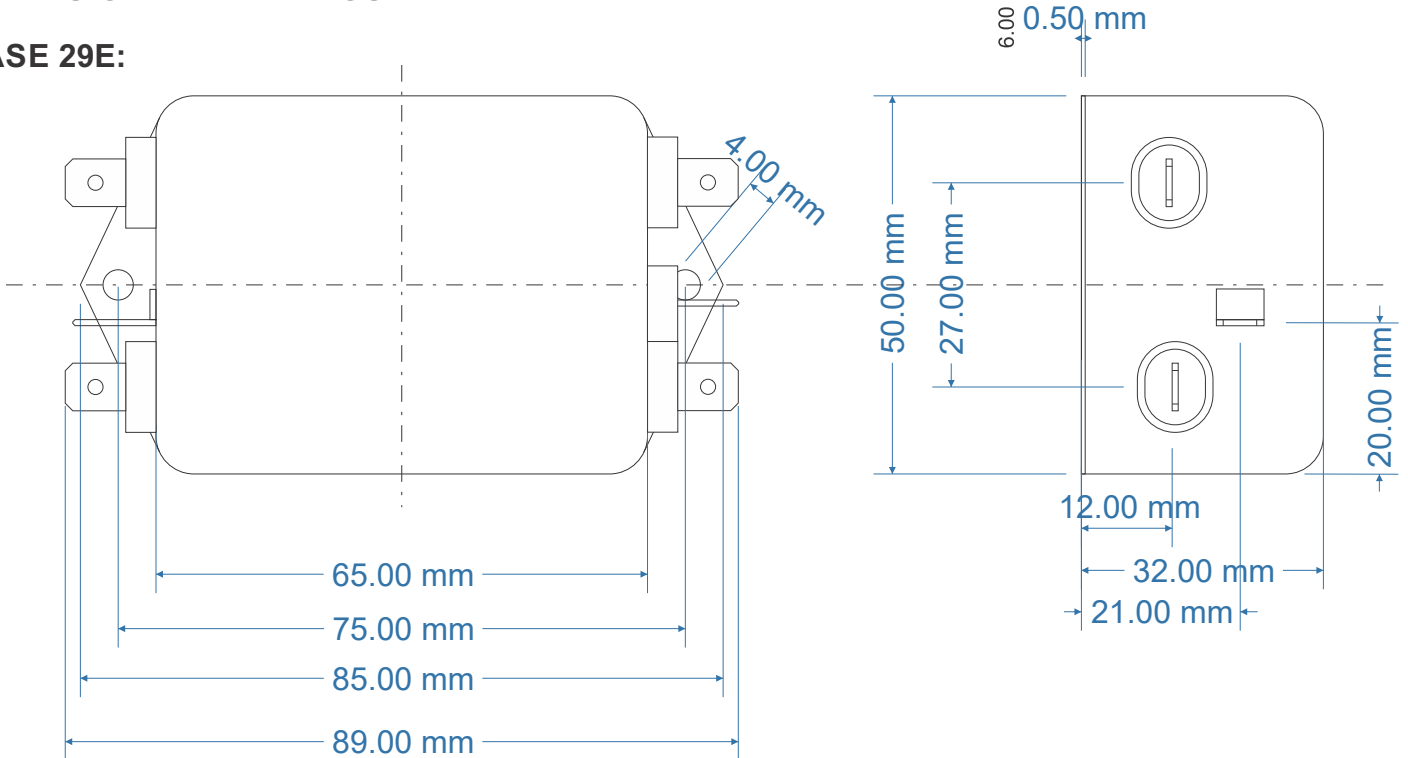
Available part numbers:



ME-1LF29E	ME-1LF29EW
ME-3LF29E	ME-3LF29EW
ME-6LF29E	ME-6LF29EW
ME-10LF29E	ME-10LF29EW
ME-15LF29E	ME-15LF29EW

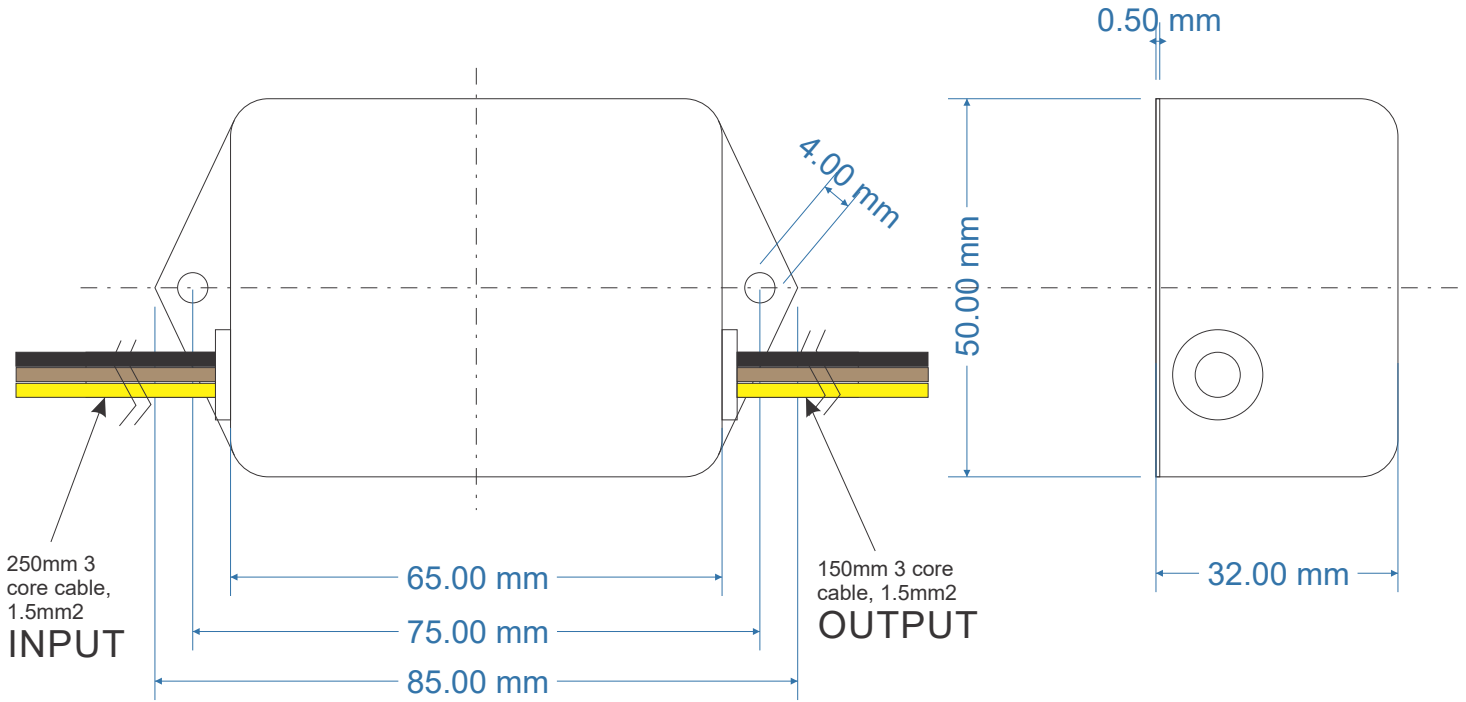
DIMENSIONAL DRAWINGS:

CASE 29E:



All dimensions are in mm ± 2mm

Case Style 29EW:



All dimensions are in mm \pm 2mm