

Two stage Differential mode EMC/ EMI / RFI Filter

LJ SERIES

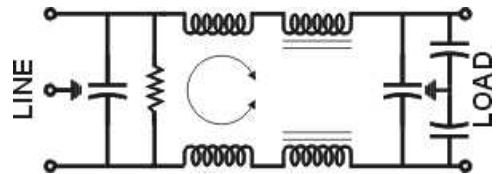
- These filters combine with line to ground interference rejection filters with additional circuitry to reduce line to line noise and transients.
- They will also provide needed noise suppression to allow most equipment to meet the conducted emission limits. They are particularly effective when applied in equipment using switching power supplies, SCR's for emission control.
- Applications employing SCR to control the motor speed, Motor drives and control circuits, Switching power supplies, chromatographs, spectrophotometers, and similar applications.



Technical specifications:

Maximum Voltage	250VAC
Operating Frequency	DC-400Hz
Rated Current(@ 40°C)	1A, 3A, 6A, 10A, 15A, 20A, 30A, 50A, 60A, 80A, 100A, & 150A
Leakage Current @ 240VAC, 50 Hz.	0.5mA<= 6A & 1.0ma >=6A
High Potential Test Voltage	
Line to Ground	2 KVAC (2 Secs)
Line to Line	2 KVDC (2 Secs)
Insulation Resistance	>500Mohms @ 500VDC
Temperature Range	-25°C to +85°C

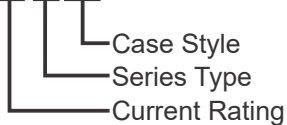
Electrical Schematic



Ordering Information:

Available part numbers:

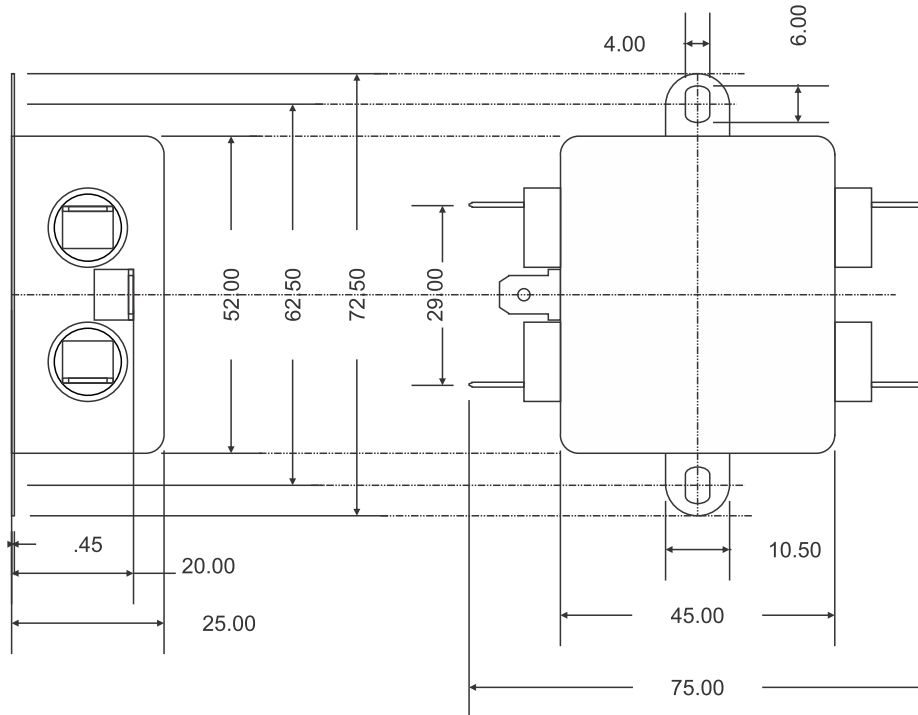
ME-50SJ20



ME-1LJ11	ME-3LJ11	ME-6LJ11
ME-1LJ16	ME-3LJ16	ME-6LJ16
ME-10SJ20	ME-15SJ20	ME-20SJ20
ME-30SJ20	ME-50SJ20	ME-60SJ20
ME-80SJ24	ME-100SJ24	ME-120SJ24
ME-150SJ24		

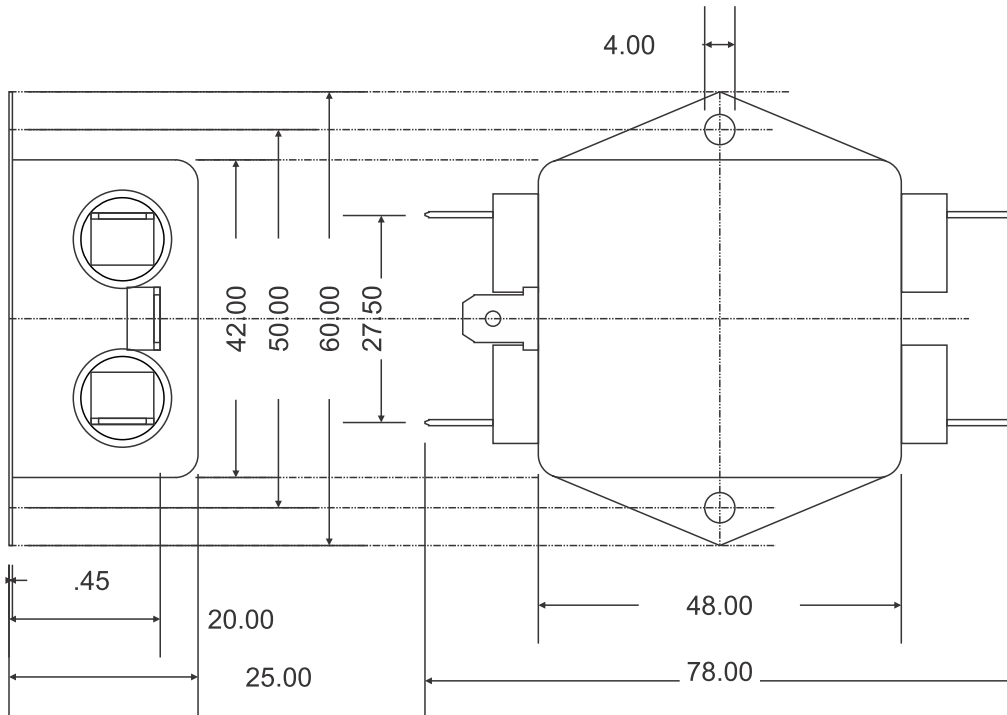
DIMENSIONAL DRAWINGS:

Case Style 11:

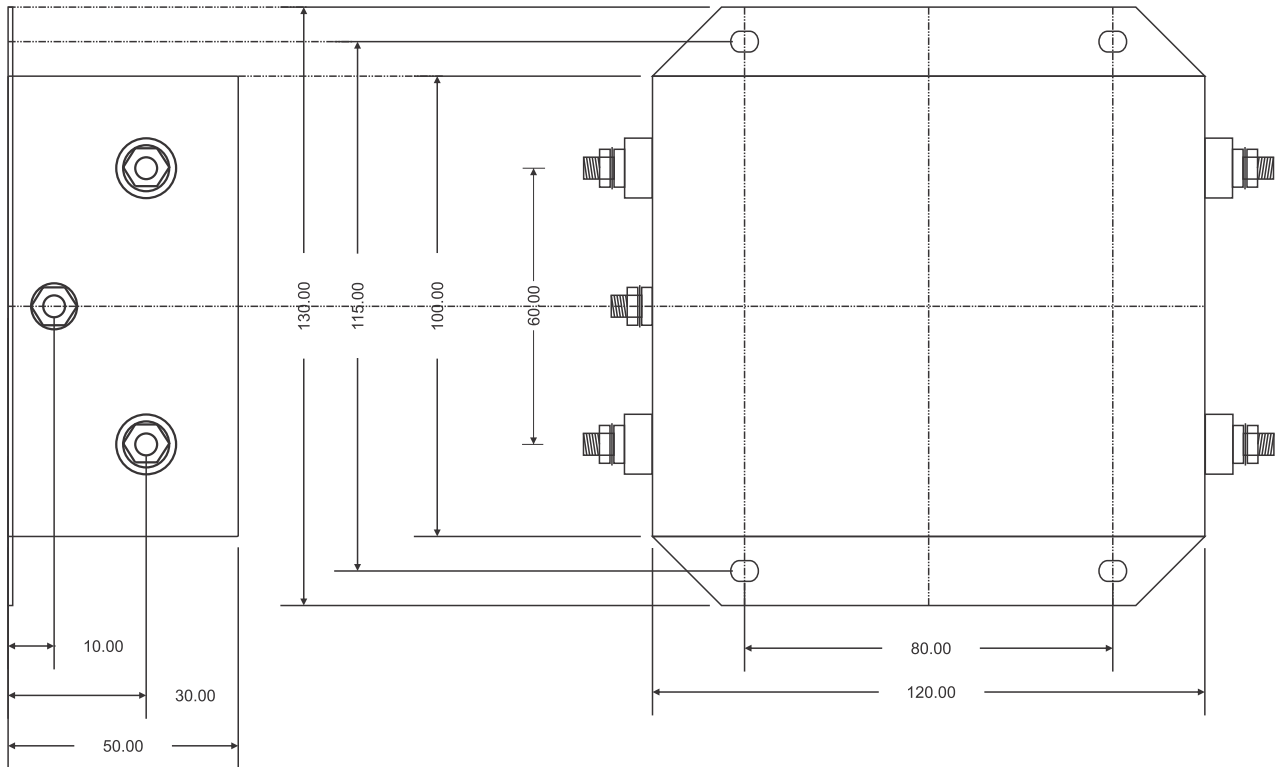


All dimensions are in mm ± 2mm

Case Style 16:

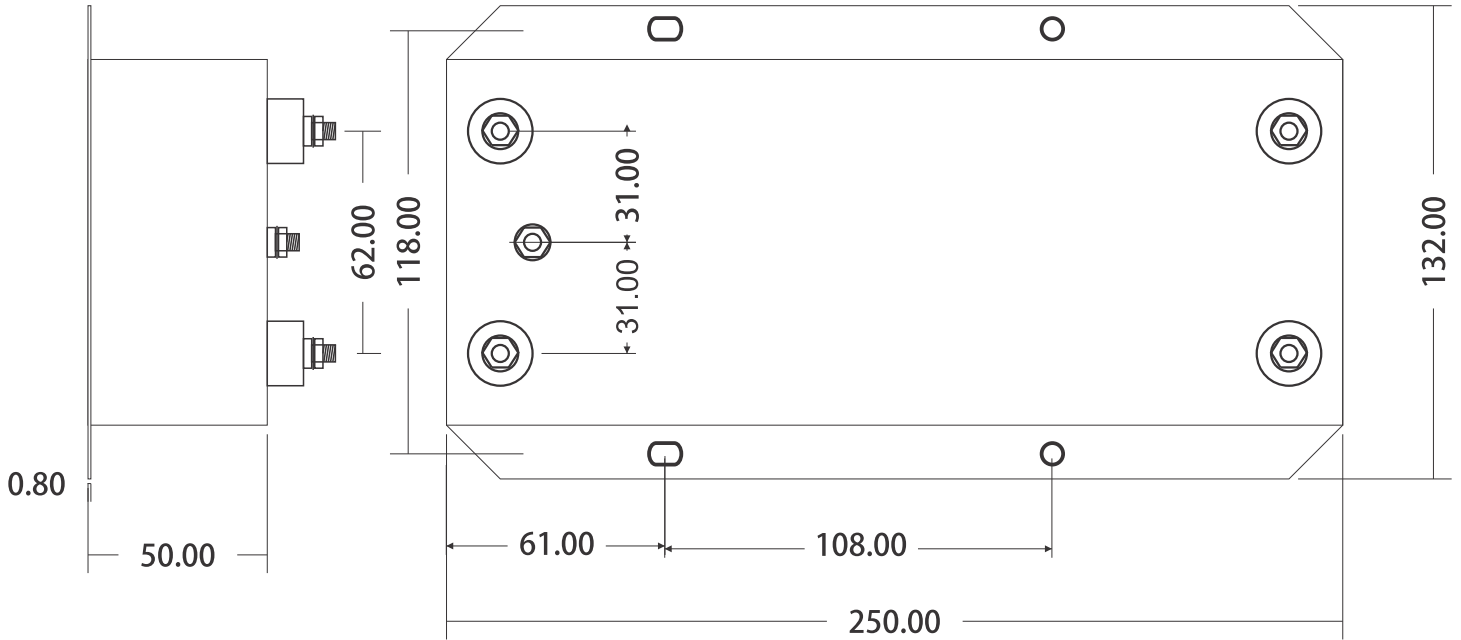


Case Style 20:



All dimensions are in mm \pm 2mm

Case Style 24:



All dimensions are in mm \pm 2mm