

General Purpose Chassis mount EMI / RFI / EMC Filters

LC SERIES

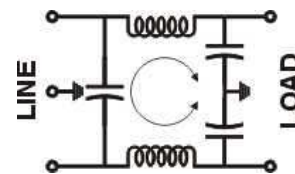
- This RFI power line filter are general purpose common mode filter effectively providing RFI control of line to ground noise in a small size at lowest cost. These filters are designed to meet a variety of electronic and electrical applications.
- They meet the very low leakage current requirements of non-patient medical equipment. These filters are available in Plastic Moulded case also.
- Applications include Digital application devices (ECR & Others), weighing scales, test equipments, medical instruments and others.



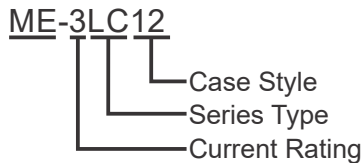
Technical specifications:

Maximum Voltage	250VAC
Operating Frequency	DC-400Hz
Rated Current(@ 40°C)	1A, 3A & 6A
Leakage Current @ 240VAC, 50 Hz.	0.5mA
High Potential Test Voltage	
Line to Ground	2 KVAC (2 Secs)
Line to Line	2 KVDC (2 Secs)
Insulation Resistance	>500Mohms @ 500VDC
Temperature Range	-25°C to +85°C

Electrical Schematic



Ordering Information:

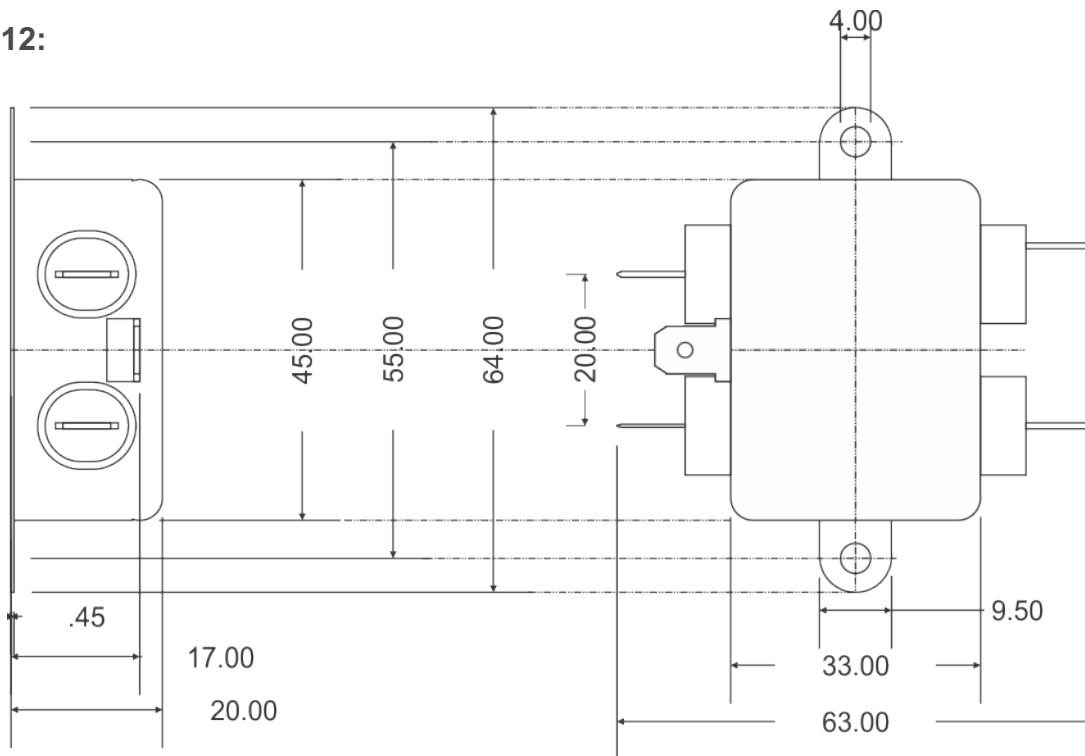


Available part numbers:

- | | |
|----------|---------|
| ME-1LC12 | ME-1LC8 |
| ME-3LC12 | ME-3LC8 |
| ME-6LC12 | ME-6LC8 |

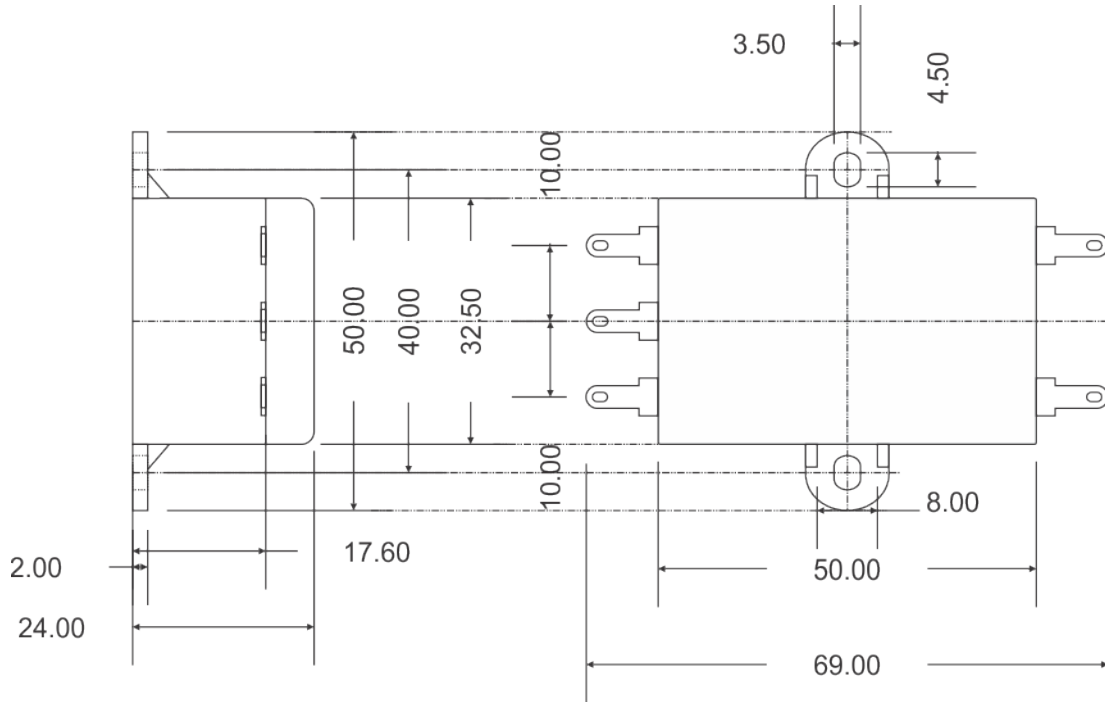
DIMENSIONAL DRAWINGS:

Case Style 12:



All dimensions are in mm ± 2mm

Case Style 8:



All dimensions are in mm \pm 2mm